

LUCCI Slimline Fan Remote Control
SKU# 210012



GB **Installation Instruction Manual** 2

Relay Remote Version 1.0- SKU210012- Last updated on August 21, 2013 – © Copyright 2013 – LUCCI



Thank you for purchasing this quality Lucci product. To ensure correct function and safety, please read and follow all instructions carefully before using the product. Please keep instructions for future reference.

Installation requirements

- Must be installed by a licensed electrician **and in accordance to AS/NZS3000 (the latest edition)**.
- Do not exceed rated power input specification.
- This product is suitable for indoor use only.
- This ceiling fan remote control is only suitable for controlling the fan motor and the light kit associated with the ceiling fan. Any other use would be considered as misuse and warranty would be void.
- Do not install fan remote control with existing fan wall controller. Remove existing wall controller and replace with a double pole wall switch, to power the fan remote controller.
- Do not use a solid state dimmer with this ceiling fan remote controller.



Receiver (controller)



Transmitter (remote)

This remote control is designed to control your ceiling fan speed and light.

Installation preparation

Before carrying out the installation, the following must be considered.

- 2 x AAA 1.5V (size) batteries are required to operate the remote control. Remove the battery cover from the back of the remote and insert 2 x AAA batteries. Ensure the polarities are correct as shown in the battery compartment. **And that the batteries are all fresh batteries** (batteries are not included).
- The transmitter and receiver must be configured so that communication between each other is paired up. This is achieved by setting the DIP switch on the receiver and transmitter on the same setting.

Installation Instructions

Note: The DIP switch assembly has 4 switches which can be setup to 16 different transmitting code combinations. This is practical when there is more than 1 remote/receiver pair operating locally or in the same room.

Note: To access the receiver DIP switches, remove the DIP switch cover.

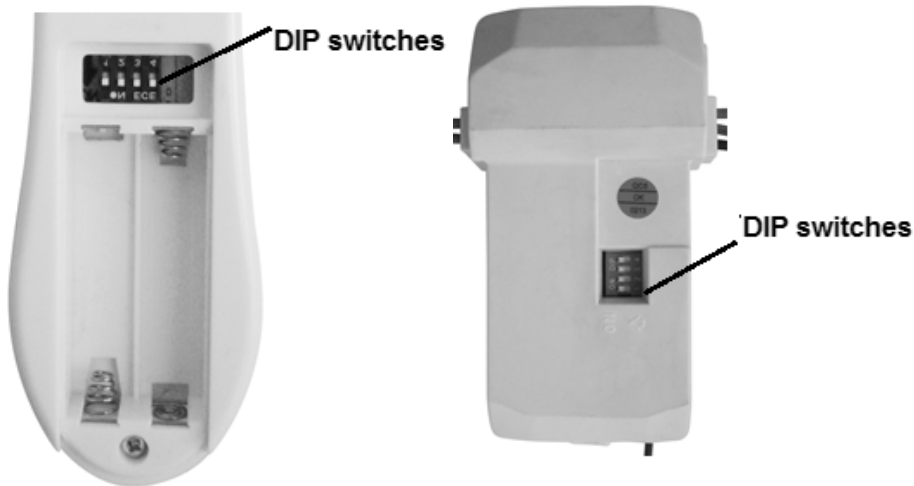


Fig. 1 Remote battery compartment

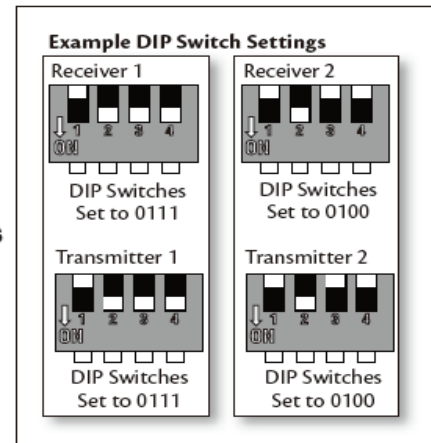


Fig. 2 Receiver DIP switch

Installation directions

WARNING – HIGH VOLTAGE

BEFORE CONNECTING THE RECEIVER & CHANGE CODES

- **For your safety: Power to the circuit must be disconnected or switched off.**
- **Household power can cause SERIOUS INJURY or DEATH.**
- **Wiring must meet all local and national electrical wiring codes.**

MAKING THE ELECTRICAL CONNECTIONS (see Fig. 3)

Use the wire nut terminal block provided for making connections.

1. Disconnect electrical power from the working circuit.
2. Remove the ceiling fan CANOPY cover from the mounting bracket.
3. Disconnect existing wiring from the supply at ceiling.
4. Connect the earth (GREEN/YELLOW) wire to the supply EARTH wire, and ensure continuity for the whole electrical earth wiring.
5. Connect **AC IN L** of control unit to **AC L** supply wire.
6. Connect **AC IN N** of control unit to **AC N** supply wire.
7. Connect **TO MOTOR N** of control unit wire to the **MOTOR (N)** fan wire.

8. Connect **TO MOTOR L** of control unit wire to the **MOTOR (L)** fan wire.
9. Connect **FOR LIGHT** of control unit wire to the **LIGHT (L1)** fan wire.
10. Push the connected wires up into the junction box.
11. Lay the control unit wire on top of the control unit.
12. Lay the control unit in the CANOPY. (See Fig. 4).
13. Reinstall the canopy on the mounting bracket.
14. Restore electrical power to the circuit.

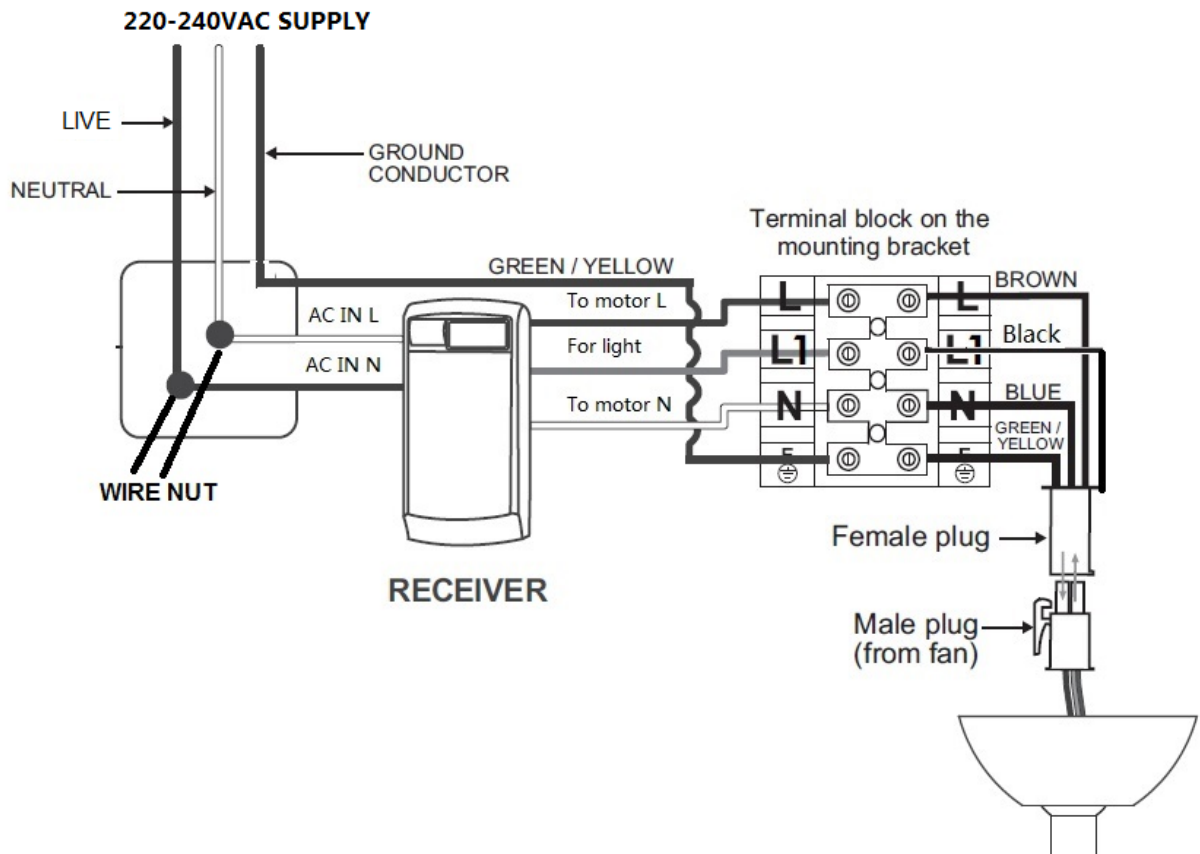


Fig. 3

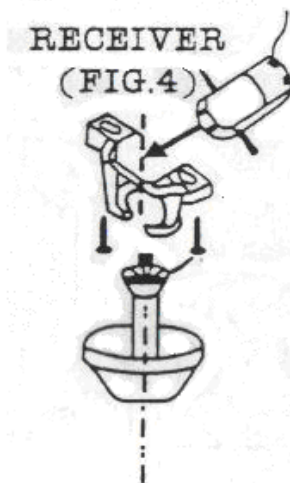
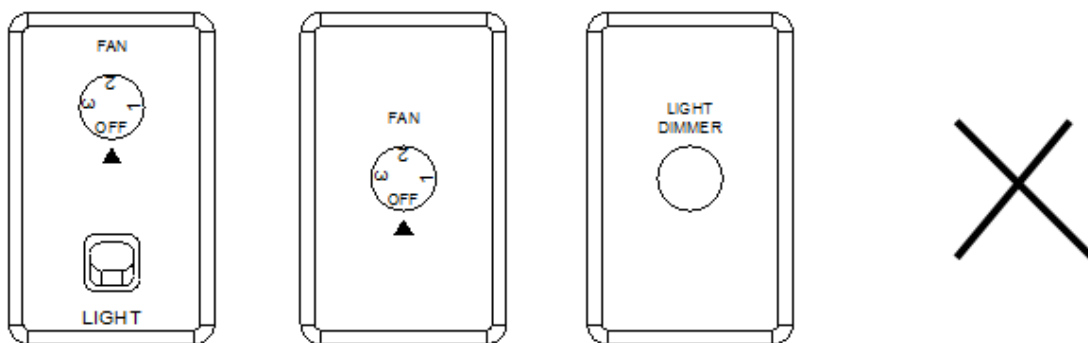


Fig. 4

NOTE:

- Fan installation must be complete including assembly of blades before operating the remote control.
- This remote control is only suitable where the controller/receiver can be inserted inside the canopy cover safely and securely. Ceiling fans with mount bracket type shown in Fig. 4 would be suitable.
- The controller wiring circuit must NOT be shared with any electrical equipment that is sensitive to voltage fluctuation, such as flood lights with infrared sensor.
- DO NOT use the wiring of the controller, other than for the purpose of supplying power into the controller, and connections to the equipment that is under control. Any outside wiring connections which are not part of the controller/controlled circuit may affect the operation of the controller and will void warranty.
- The ceiling pitch should not exceed the fan hanging system maximum supported pitch. It will damage the receiver and cause electric shock. Please check with retailer about pitch angle suitable for fan mounting with remote control.
- To avoid damage to the remote, DO NOT use in conjunction with fan wall controls that have speed adjustment or light dimmer as function:

CAUTION!



If the remote control device is to be installed with an existing ceiling fan with any of the above wall fan controls, replace the fan wall control with the double pole ON/OFF switch shown below:



A double pole wall switch must be included in the wiring installation. The double pole switch allows you to disconnect the remote control from the mains 240VAC power during maintenance and cleaning of the ceiling fan.

Operating the remote

Before you start using the remote, take the time to read through this section and get familiar with the function of each button.



Fig. 5

LED Indicator: The red LED indicator on the top of transmitter will flash when the buttons are active.

HI: Press the button to set fan running speed to high.

MED: Press the button to set fan running speed to medium.

LOW: Press the button to set fan running speed to low.

OFF: Press the button to turn OFF the fan.



: Press the button to turn ON/ OFF the light.

The remote has memory function. If the fan or light is turned off by the wall switch, it will memorise and recover the last status when turned on next.

Trouble shooting

Warning: For your safety, ensure the power is switched OFF before starting the troubleshooting procedures

TROUBLE	PROBABLE CAUSES	SUGGESTED REMEDY
1. No functions operate Warning: Some task are only to be performed by a qualified technician.	Main power not restored	Replace fuse. Turn ON circuit breaker. Turn ON wall switch
	Wall switch power to the fan remote is OFF	Switch wall switch ON, to power the remote
	Receiver wiring incorrect	Verify wiring connections according to label and wiring diagram
	Transmitter and receiver DIP switches do not match	Set transmitter and receiver to same DIP switch setting
	The remote is too far from the receiver	Move closer to receiver
2. Remote LED/LCD no display	Battery too weak	Replace with all new batteries. Do not mix the old and new batteries
	Batteries at wrong polarity	Reinstall the batteries at right polarity
	The contacts in battery compartment are corroded or bent.	Clean corroded contacts. Bend contacts back to their correct position
	Poor contact with batteries.	Roll the batteries to get them to sit in the compartment, or replace with other brand batteries
3. Operates only at close range	Signal blocked from reaching receiver	Extend antenna out from canopy, or move it for better reception
	Batteries too weak	Replace with all new batteries. Do not mix the old and new batteries
4. More than one fan operates interference at same area.	RF interference	Change DIP switch settings to a different code. Each pair of transmitter and receiver must have unique DIP switch code

Technical information

Transmitter (Remote):	Receiver (controller):
Model No.: UC7216T	Model No.: UC7076RY
Rated Voltage: 2 X 1.5V AAA battery	Rated Voltage: 230-240VAC 50/60Hz,
Frequency: 433.92MHz	NON-DIMMING
Operating range: approx. 20-30 feet.	Max. Motor load 0.5A, Ceiling Fan Only Max. Incandescent/Halogen load 300W Max. Fluorescent globe & ballast load 100VA Max. LED driver load 100VA